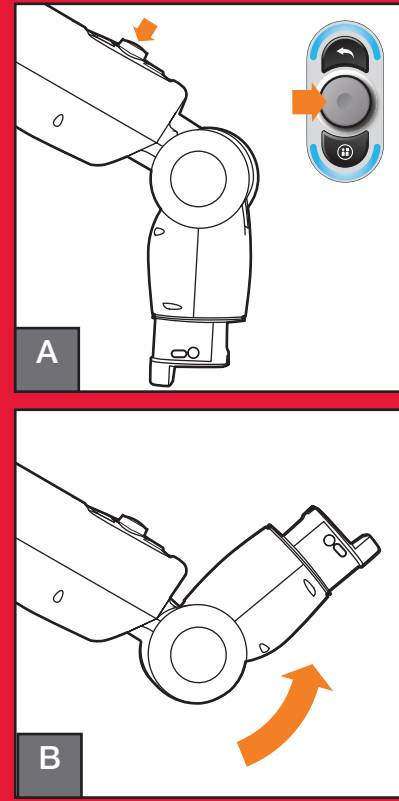


1 position wrist

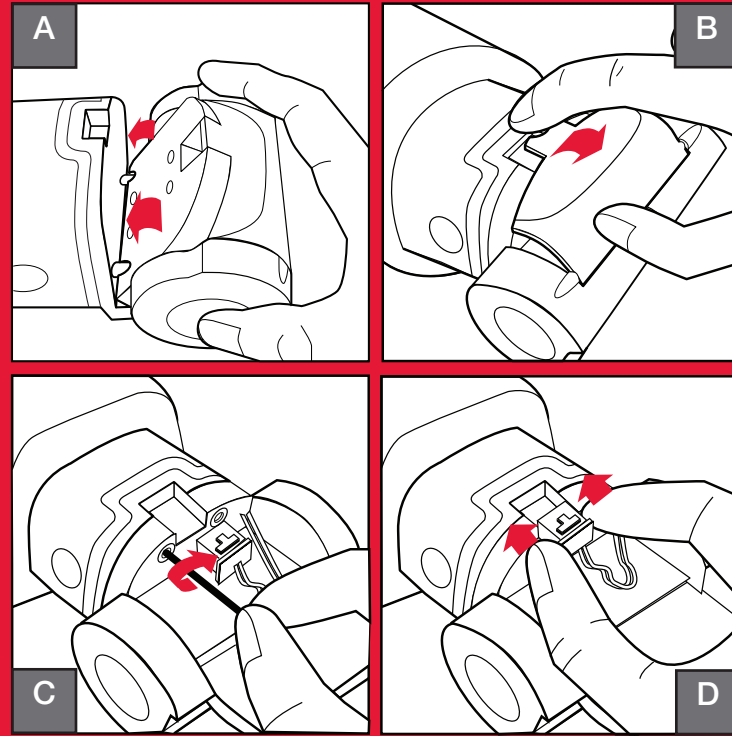


A. To attach gripper, use the Navigator Knob to go to Settings > Hardware > Configure End Effectors.

Choose “Front” or “Behind”.

B. Baxter will pose with training cuff facing upward for easy gripper attachment.

2 attach gripper



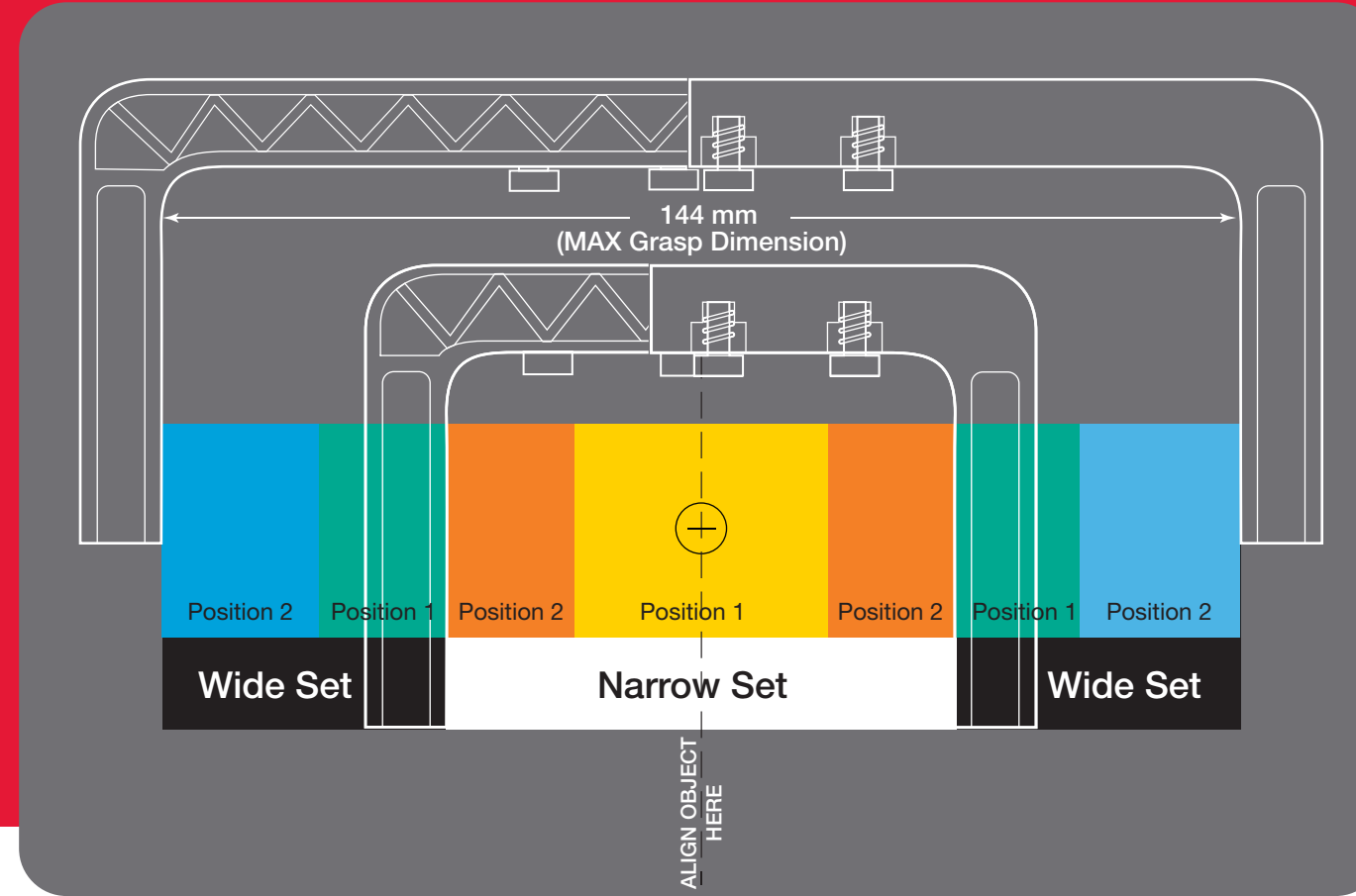
A. Hook Parallel Gripper onto two posts on wrist.

B. Open door.

C. Tighten both screws with enclosed 3mm hex key. **Important: Both screws must be tightened before inserting plug into receptacle.**

D. Insert plug into receptacle until you hear a “click”. Close door. (When removing Gripper, disconnect plug first, then unscrew from wrist.)

3 select finger set and position



Place object in center of chart in same orientation as the robot will grasp it.

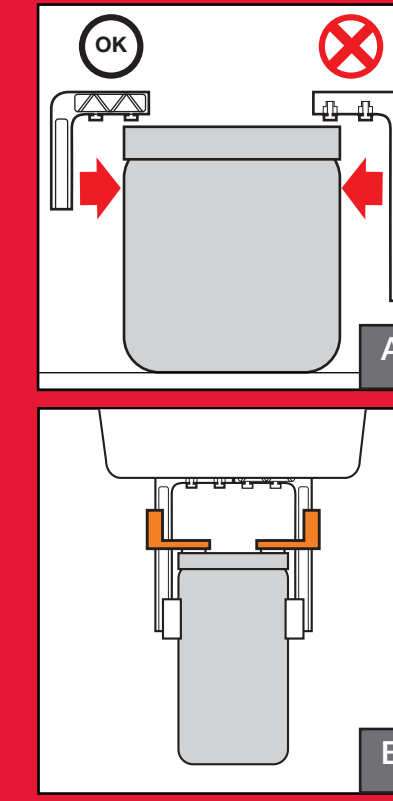
Object edges define fingers and position.

Consider finger tip thickness as it will alter grasp range.

Note: If object edges are on the lines of a zone, choose the next position, or wider size fingers.

Object Grasp Width	Finger	Position
0-34 mm	Narrow	1
34-68 mm	Narrow	2
68-102 mm	Wide	1
102-144 mm	Wide	2

finger guidelines

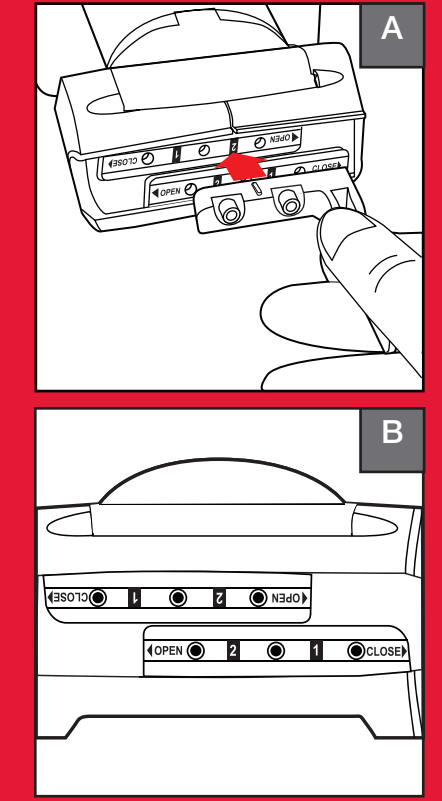


A. Use shortest fingers possible. Robot should grasp above object’s center of gravity.

Extended length fingers are best for reaching into deep spaces.

B. Limiters can help to stabilize object during grasp.

4 position and attach fingers

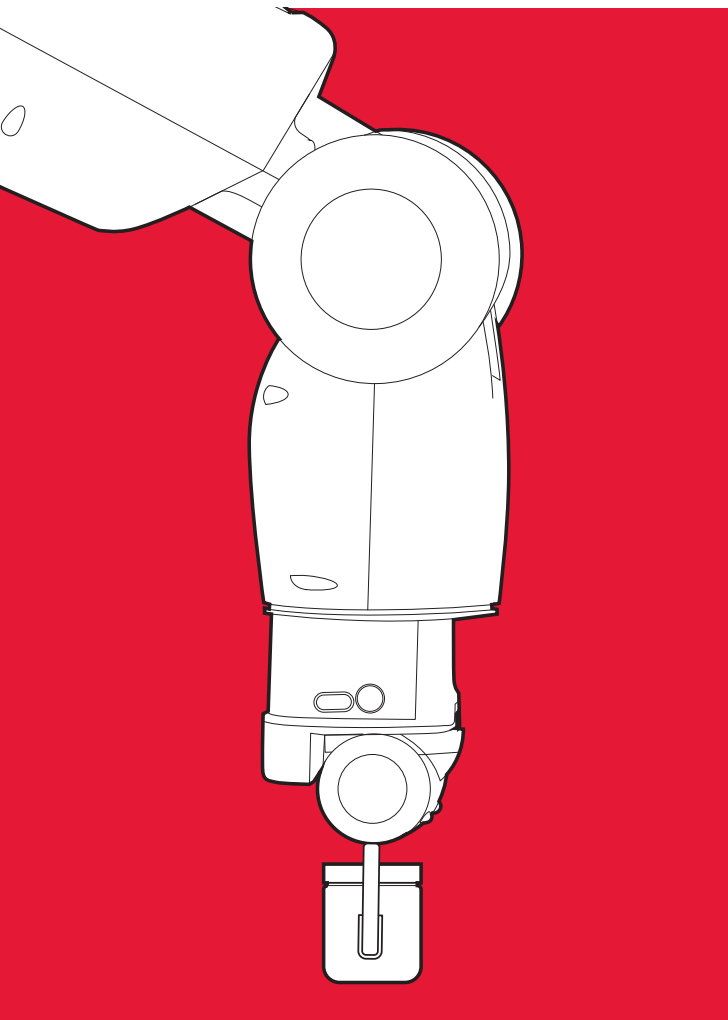


A. Align nub on each finger to selected numbered position on gripper. Alignment nubs face toward outside of gripper.

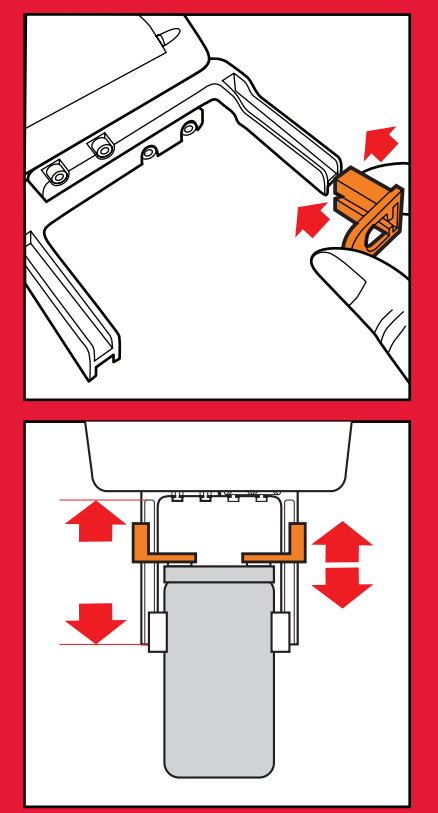
B. Both fingers must use matching numbered positions.

Use 3mm hex key to tighten both screws on each finger.

See other side for finger tip selection.



5 attach limiter - optional

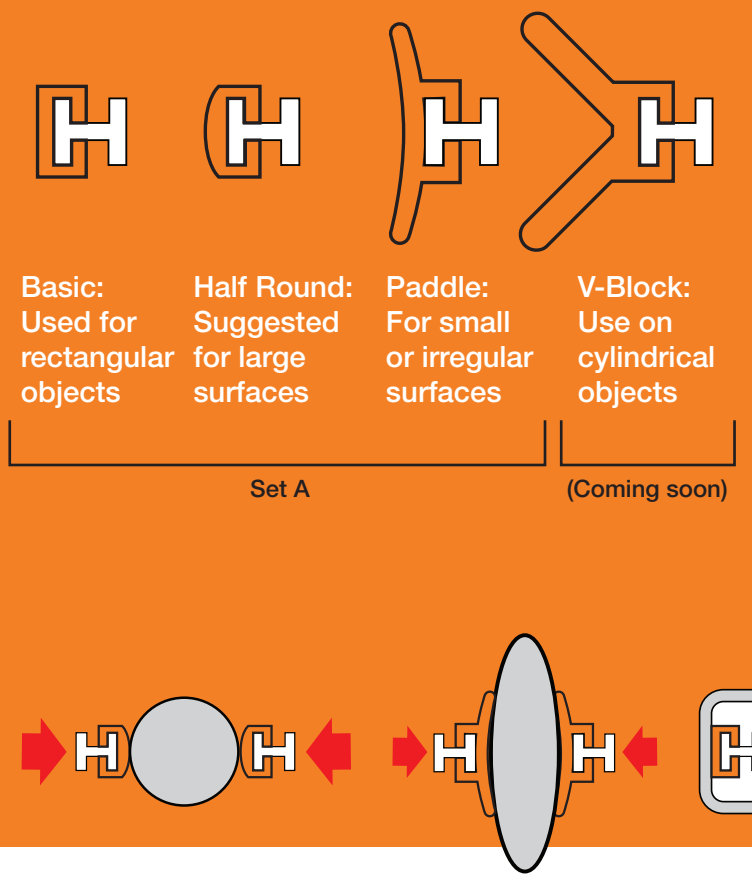


Align and slide limiters onto fingers at desired height, tighten screws.

Limiters can help to stabilize object during grasp

Note: Limiters can be mounted on either side for inside or outside grasp.

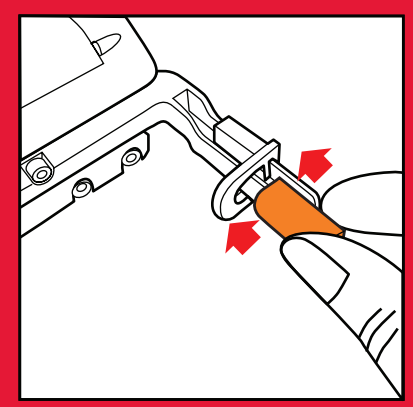
selecting finger tips



Consider an object's shape and surface finish when choosing a finger tip.

- Plastic: For pliable surfaces
- Silicone: For smooth, rigid or untextured surfaces
- Silicone sheet may be cut and adhered to finger tips to increase grip

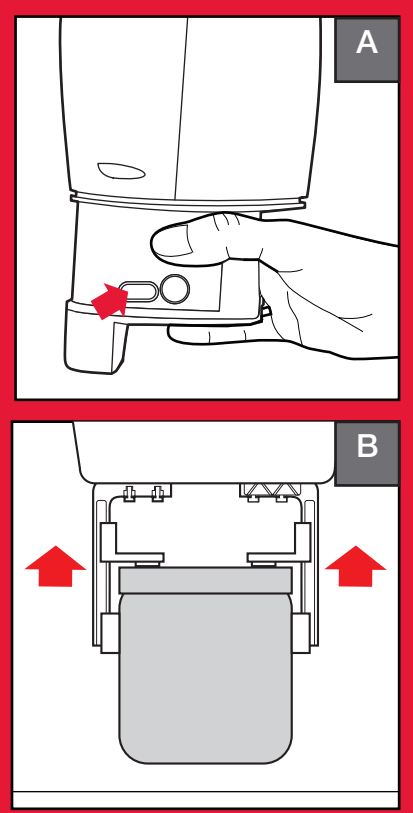
6 attach finger tip



Slide one tip onto each finger until it "clicks" into place.

Note: Finger tips can be mounted to either or both sides of a finger.

7 test grasp



Configure gripper on screen and choose "Train".

A. Once trained, press grasp button on training cuff to test grasp.

B. Pick up object. Make adjustments as necessary.



To re-order:
 P/N: 19346 Parallel Gripper Kit
 P/N: 24900 Fingers Replacement
 P/N: 24901 Tips Set A Replacement

Rethink Robotics and Baxter are trademarks of Rethink Robotics, Inc.
 P/N: 25197 12/2012

www.RethinkRobotics.com



baxterTM
 electric parallel gripper kit

