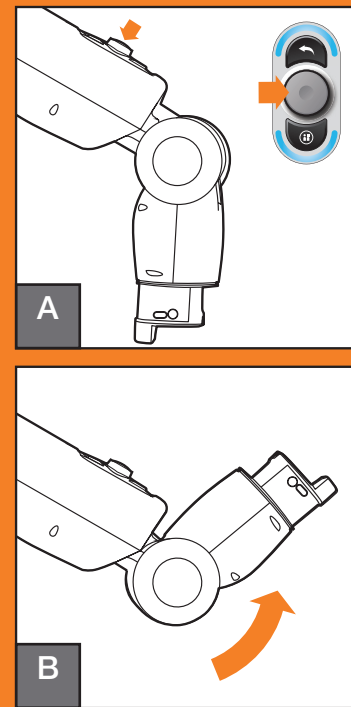


1 position wrist

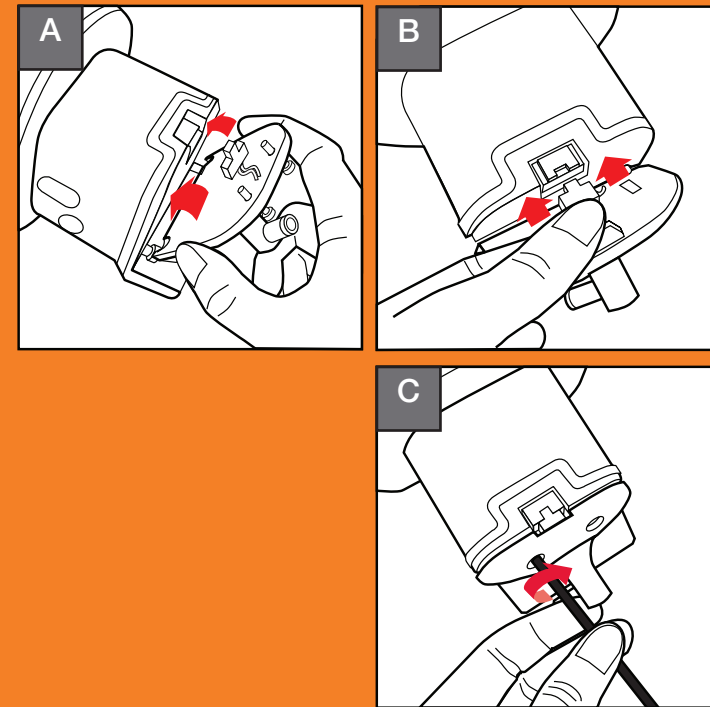


A. To attach Gripper, use the Navigator Knob to go to Settings > Hardware > Configure End Effectors.

Choose “Front” or “Behind”.

B. Baxter will pose with training cuff facing upward for easy gripper attachment.

2 attach gripper

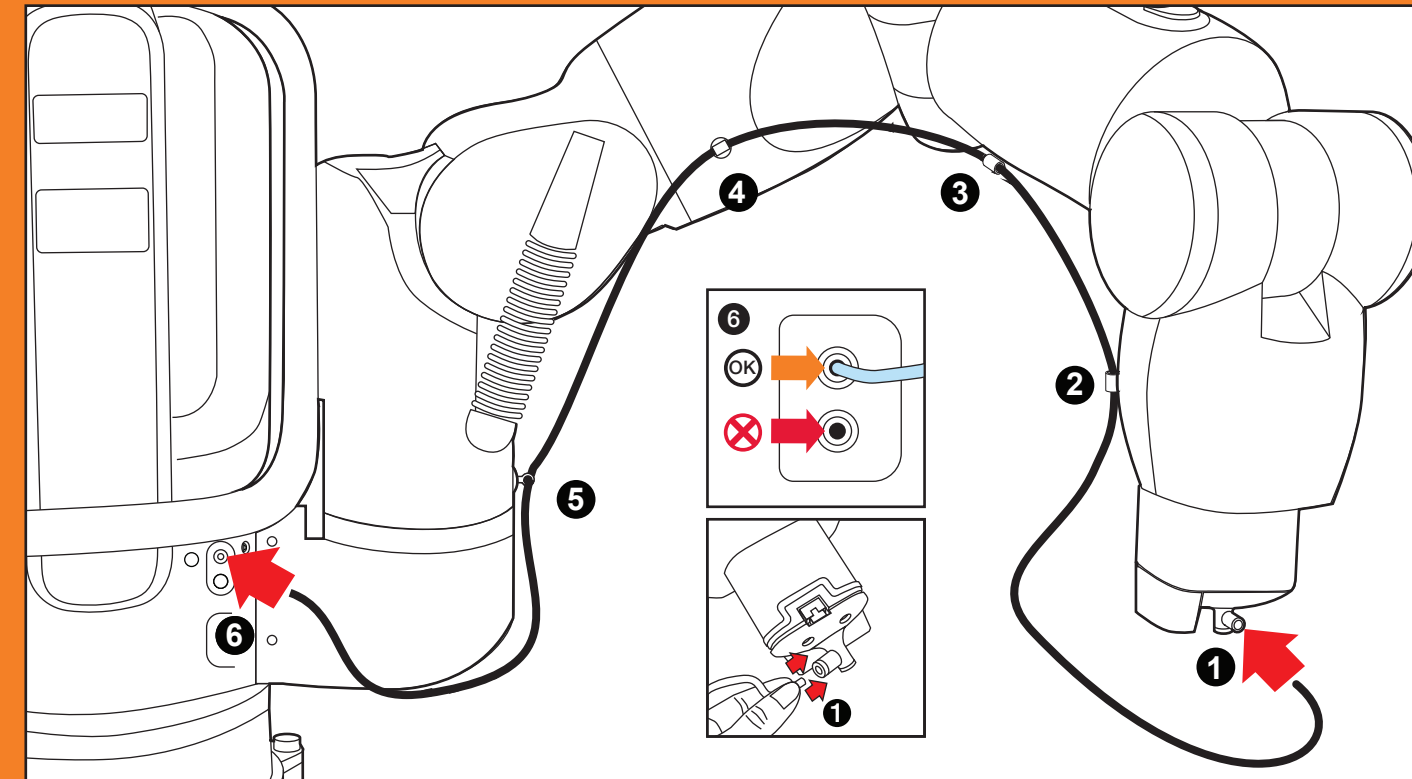


A. Hook Vacuum Cup Gripper onto two posts on wrist.

B. Insert plug into receptacle until you hear a “click”.

C. Tighten both screws with enclosed 3mm hex key.

3 attach vacuum tubing to arm



For new installations, see other side for instructions to install vacuum generator.

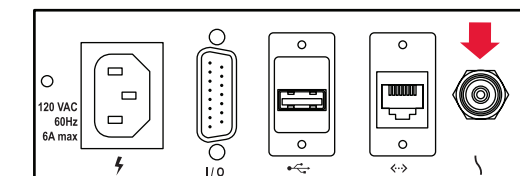
Attach tubing to robot arm. Check to ensure tubing is on same arm as installed vacuum generator(s).

Starting at the Gripper **1**, loosely thread the tubing through the arm clips. Insert tubing end **6** into upper air inlet. Leave any extra length of tubing between connections **5** and **6**.

Push tubing into air inlet until it stops.

Rotate hose so as to not block camera.

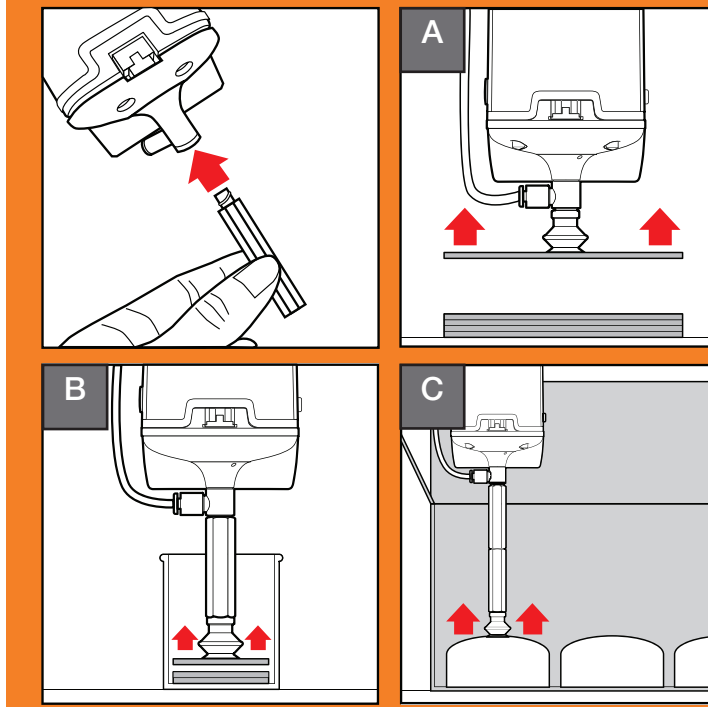
To release tubing from air inlet, push inlet in while pulling tubing out.



Connect air supply to robot at connector panel.

Air supply should be 60 PSI (min) to 90 PSI (max). Air must be filtered and oil-free.

attach extensions - optional



Screw in extension until snug.

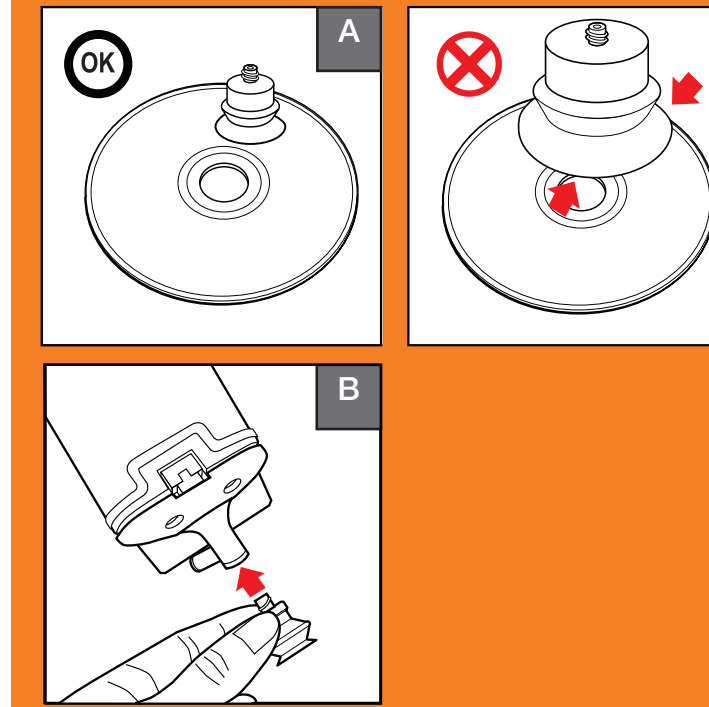
Note: Up to two extensions may be attached to each Vacuum Cup Gripper.

A. No Extension.

B. One Extension.

C. Two Extensions.

4 select and attach vacuum cup



A. Select Vacuum Cup.

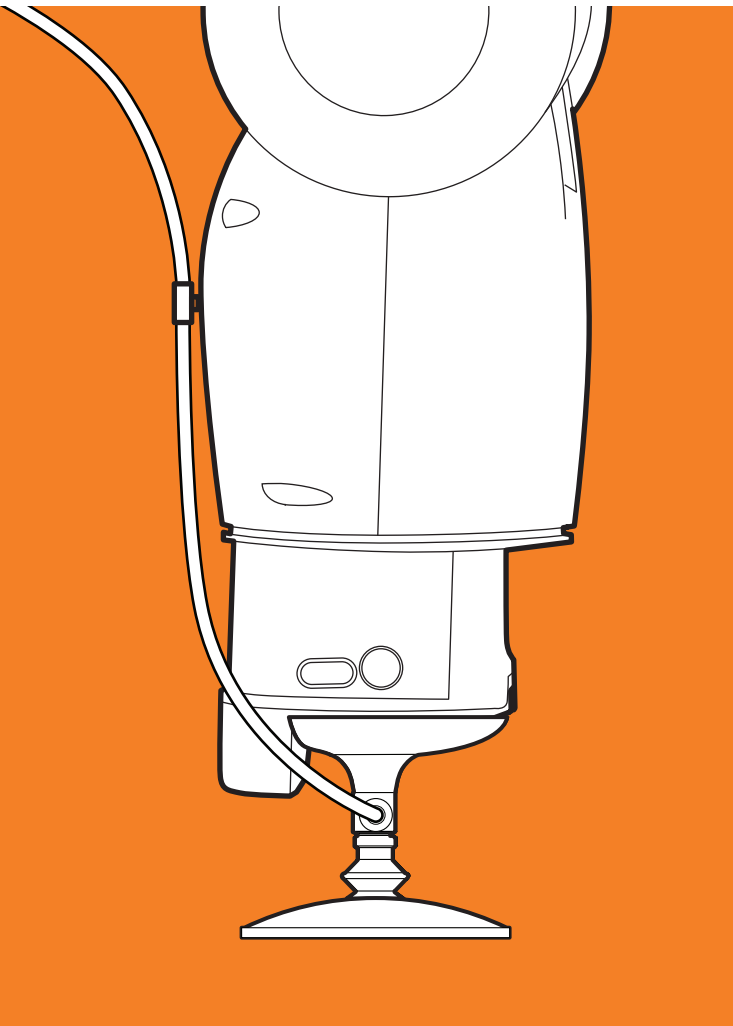
Vacuum Cups should fit entirely on the object surface. Choose the smallest vacuum cup wherever possible.

Choose a larger vacuum cup if the robot cannot lift the weight of the object with a smaller one. Textured or irregular surfaces may require a larger vacuum cup.

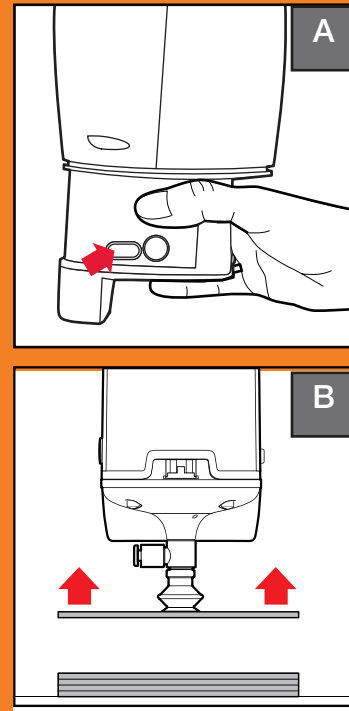
Note: Robot can lift a maximum weight of 5 lbs (2.27kg)

B. Screw on Vacuum Cup until snug.

See other side for instructions on how to Test Grasp.



5 test grasp



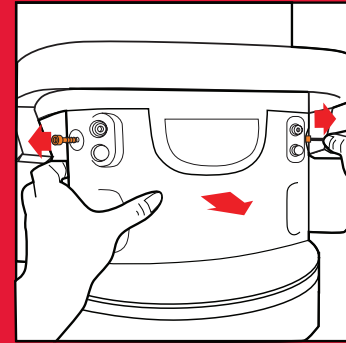
Configure gripper on screen and choose "Train".

A. Once trained, press grasp button on training cuff to test grasp.

B. Pick up object. Make adjustments as necessary.

For new installations

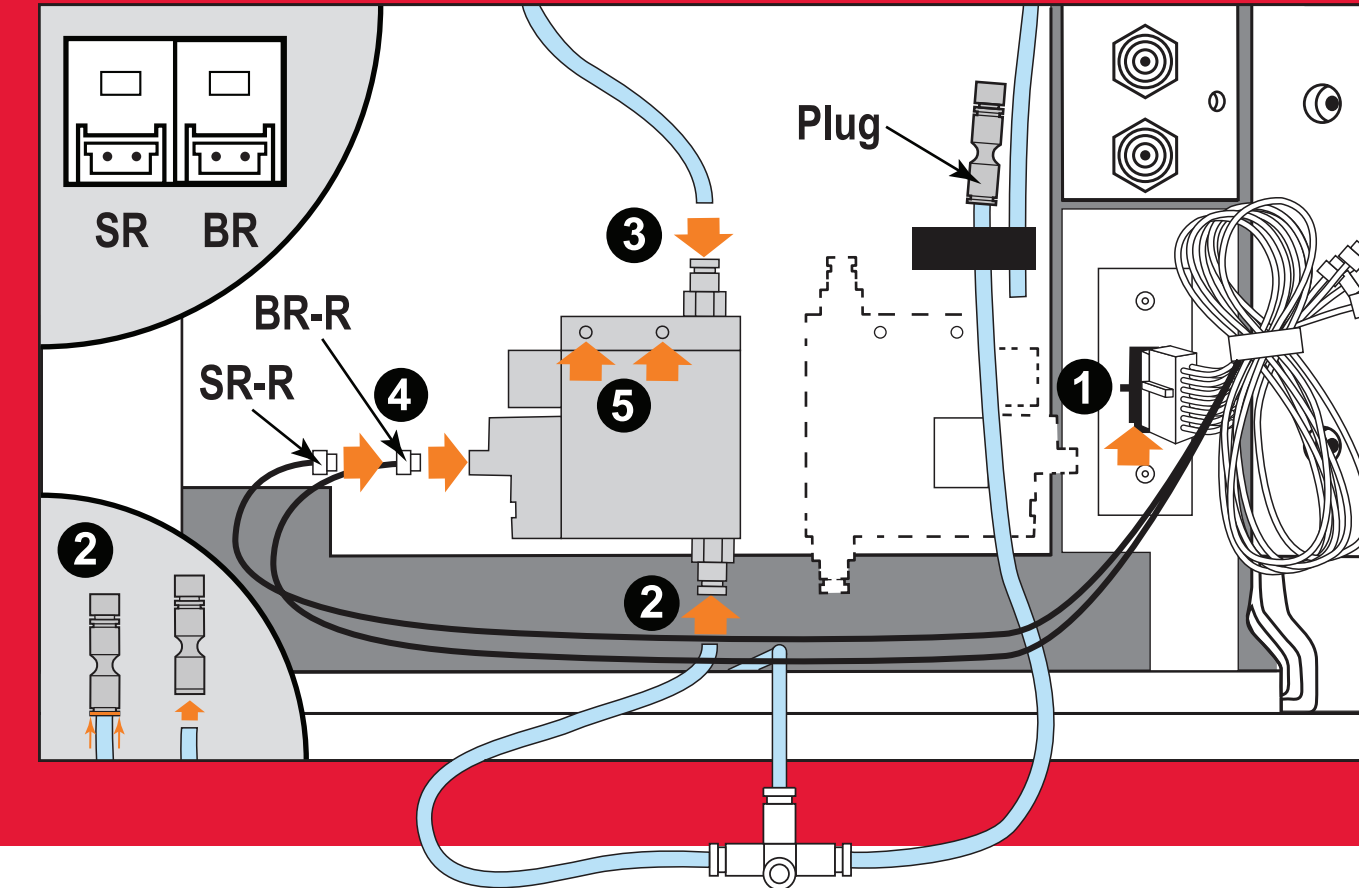
remove lower front panel



Using 2.5 mm hex key found in the Vacuum Generator bag, loosen 2 screws from the Lower Front Panel.

Gently remove Lower Front Panel by pulling straight from robot.

install vacuum generator



Choose arm for Vacuum Cup Gripper. Vacuum Generator will mount to same side as selected arm. Two vacuum generators can be mounted on plate.

1 Plug wiring harness into socket.

2 Remove plug from T-connection tubing and connect tubing to bottom port of vacuum generator. To release tubing from air inlet or plug, push inlet in while pulling tubing out.

Important: Plug must remain in place if no vacuum generator is attached.

3 Connect tubing coming from top of panel to top port of vacuum generator.

4 If mounting Gripper on robot's right arm, plug wires marked SR-R and BR-R into vacuum generator. (Plug wires marked SR-L and BR-L into vacuum generator mounted on robot's left arm.)

5 Using included screws, fasten Vacuum Generator to metal plate on same side of robot as the Vacuum Cup Gripper will be used.

6 Gently re-attach Lower Front Panel. Tighten both screws.



To re-order:
 P/N: 24001 Vacuum Cup Gripper Kit
 P/N: 24905 Vacuum Cup Replacements
 P/N: 24906 Extension Replacements
 P/N: 24907 Tubing Replacement

Rethink Robotics and Baxter are trademarks of Rethink Robotics, Inc.
 P/N: 21851 12/2012

www.RethinkRobotics.com



baxterTM
 vacuum cup gripper kit

